

# **LAB SERIES** OZONE GENERATORS

## **Features**

- Tabletop Design
- Front Panel Mounted Controls and Connections
- Plug-and-Play Operation
- Precision Flow Meter
- Air-Cooled Ceramic and Titanium Reactor Cell
- Over-Temperature Protection

## **Controls**

- Variable Output Control
- Feed Gas Flow Control
- Reactor Pressure Control
- Reactor Pressure Gauge
- Power Feed Back Reference Meter
- LED Visual Ozone Indicator

## **Flexible**

The LAB Series ozone generators are ideally suited to ozone application development in the laboratory setting with a broad range of ozone output. LAB Series units are compact and light weight with output ranges from 10 to 60 grams per hour and ozone concentrations to 8% by weight.

## **Adaptable**

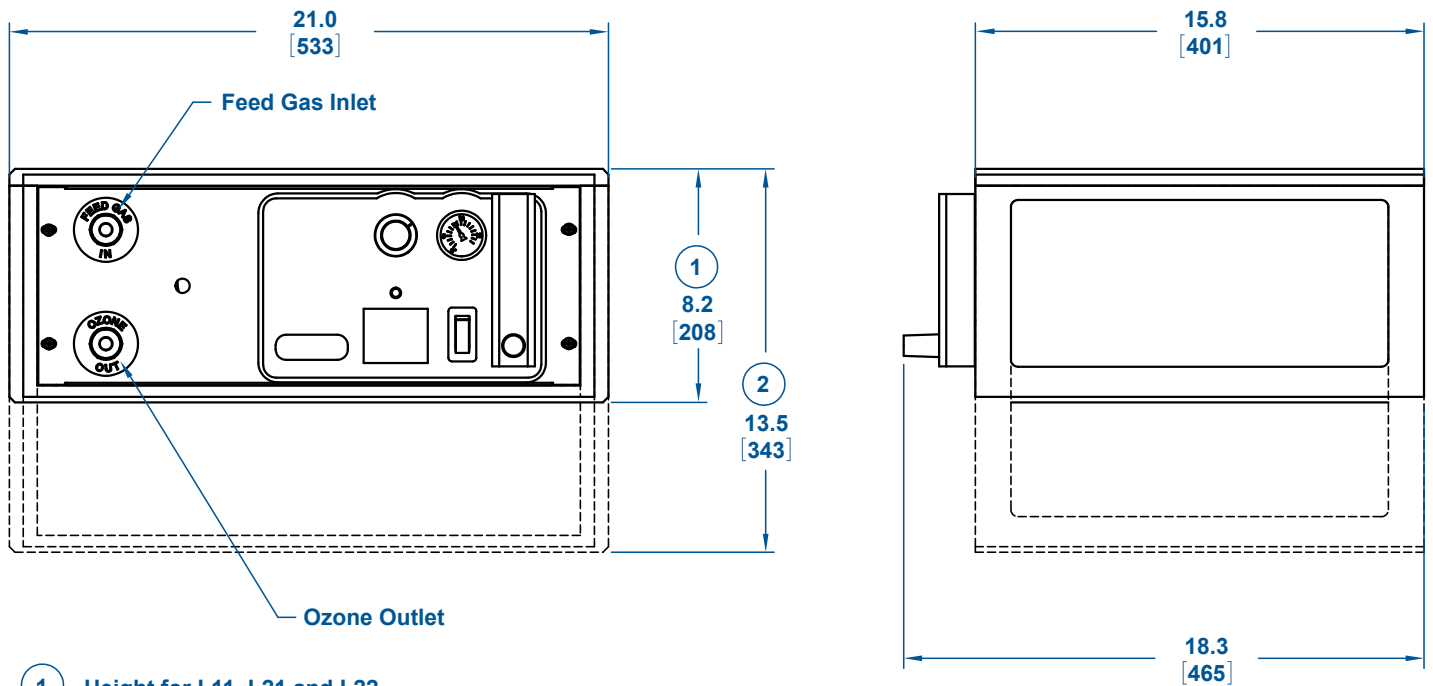
All controls and connections are mounted on the front panel for quick and easy set up and operation. The LAB Series ozone generators are completely adjustable and readily adapt to continuously changing applications and ozone requirements in the lab environment. The air-cooled LAB Series units provide years of reliable service.



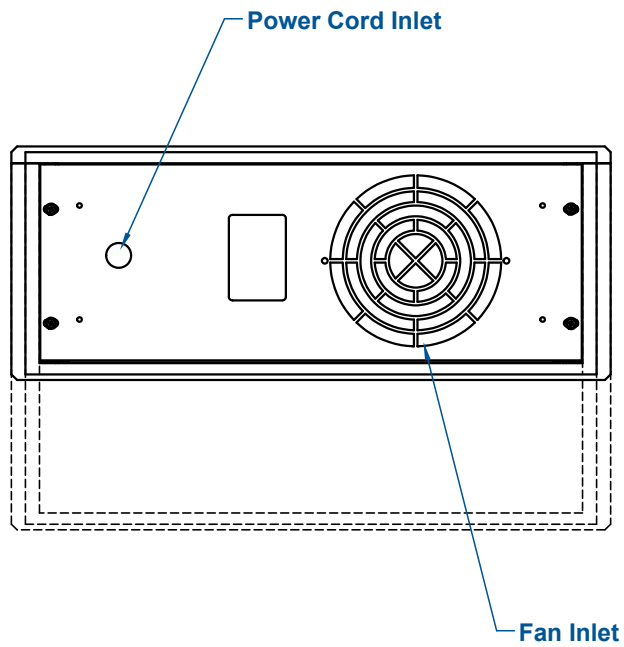
**Model: L23/24**

# LAB SERIES OZONE GENERATORS

Model: R-LAB111 (115V)



Dimensions: inches [mm]



# LAB SERIES OZONE GENERATORS

## Technical Specifications

Model/ Part Number	Max. Ozone Production	Max. Ozone Concentration	Max. Reactor Pressure	Feed Gas Flow Range	Power Consumption	Air Cooling	Feed Gas Inlet Fitting	Ozone Outlet Fitting	Dimensions (HxWxD)	Weight
	lbs./day (grams/hour)	% weight	psig (bar)	scfh (lpm)	watts	scfm (lpm)	inches (mm)	inches (mm)	inches (mm)	lbs (kg)
L11/ R-LAB111 (115V) R-LAB112 (230V)	0.6 (12)	8%	12 (0.8)	7-10 (3.3-4.7)	230	240 (6796)	1/4" fnpt (6.35 mm)	1/4" fnpt (6.35 mm)	8.2x21.0x18.3 (208x533x465)	42 (19)
L21/ R-LAB211 (115V) R-LAB212 (230V)	1.0 (18)	8%	12 (0.8)	7-10 (3.3-4.7)	335	240 (6796)	1/4" fnpt (6.35 mm)	1/4" fnpt (6.35 mm)	8.2x21.0x18.3 (208x533x465)	46 (21)
L22/ R-LAB221 (115V) R-LAB222 (230V)	1.6 (30)	8%	12 (0.8)	7-20 (3.3-9.4)	370	240 (6796)	1/4" fnpt (6.35 mm)	1/4" fnpt (6.35 mm)	8.2x21.0x18.3 (208x533x465)	50 (23)
L23/ R-LAB231 (115V) R-LAB232 (230V)	2.4 (45)	8%	12 (0.8)	10-30 (4.7-14)	440	240 (6796)	1/4" fnpt (6.35 mm)	1/4" fnpt (6.35 mm)	13.5x21.0x18.3 (343x533x465)	55 (25)
L24/ R-LAB242 (230V)	3.2 (60)	8%	12 (0.8)	10-40 (4.7-19)	530	240 (6796)	1/4" fnpt (6.35 mm)	1/4" fnpt (6.35 mm)	13.5x21.0x18.3 (343x533x465)	60 (27)

## Operational Requirements

Model/ Part Number	Feed Gas Flow	Electrical Requirement
	scfh (lpm)	volts, Hz
L11/ R-LAB111 (115V) R-LAB112 (230V)	10 (4.7)	115V 60Hz or 230V 50/60Hz, 1 phase 15A Circuit
L21/ R-LAB211 (115V) R-LAB212 (230V)	10 (4.7)	115V 60Hz or 230V 50/60Hz 1 phase 15A Circuit
L22/ R-LAB221 (115V) R-LAB222 (230V)	20 (9.4)	115V 60Hz or 230V 50/60Hz 1 phase 15A Circuit
L23/ R-LAB231 (115V) R-LAB232 (230V)	30 (14)	115V 60Hz or 230V 50/60Hz 1 phase 15A Circuit
L24/ R-LAB242 (230V)	40 (19)	230V 50/60Hz 1 phase 15A Circuit



**EQUIPOS ESPECIALIZADOS DEL ATLANTICO SA de CV**

PASEO LOMAS DE ROSALES #307 COL. LOMAS DE ROSALES C.P. 89100 TAMPICO, TAM. MÉXICO

TEL. - (833) 116-54-10

[www.eatlantico.com](http://www.eatlantico.com)

e-mail: [marte.alvarez@atlantico.com](mailto:marte.alvarez@atlantico.com)