

# G23 OZONE GENERATOR

The reliable, versatile, and cost effective G Series Ozone Generators are built to interface with a wide range of industrial applications. The ultra compact, fiberglass reinforced cabinet makes the G Series right at home in demanding environments—aquaculture and agriculture installations, cooling tower and wastewater treatment skids, and other commercial and industrial ozone applications.

Incorporating Pacific Ozone's exclusive Floating Plate Technology™, an air-cooled titanium and ceramic reactor cell design with a high frequency variable controlled power supply, the G23 Ozone Generator output performance is impressive with ozone production rates from 30 g/hr (100 g/m<sup>3</sup>) at 10 scfh oxygen to more than 50 g/hr (60 g/m<sup>3</sup>) at 20 scfh.

The energy efficient G Series' power consumption is among the lowest in the industry, yet their high-concentration ozone output allows greater flexibility of use with these features: variable control, feed gas control, reactor backpressure gauge, power supply feed back output and LED ozone output indicator. G Series ozone generators can be controlled manually or remotely using a 0-10VDC or 4-20mA signal from an ozone analyzer, ozone process controller, ORP controller or other control signal.

An integrated automatic cooling fan control keeps moisture out, even in cool or humid outdoor applications. It's modular design combines the power supply with a titanium and ceramic reactor cell for quick and easy service in the field, providing years of trouble-free operation.



## THE G23 OZONE GENERATOR

### FEATURES

- Reinforced Fiberglass Enclosure
- Stainless Steel Hardware
- Air-Cooled Ceramic and Titanium Reactor Cell
- Over Temperature Control
- Patented Floating Plate Technology™
- Feed Gas Flow Switch

### CONTROLS

- Variable Output Control 0-100%
- Power Feed Back Reference Meter 0-15VDC
- Reactor Pressure Gauge 0-15 psi
- Feed Gas Flow Control 0-50scfh
- LED Visual Ozone Indicator
- On/Off Lighted Circuit Breaker

# G23 OZONE GENERATOR

## Product Description

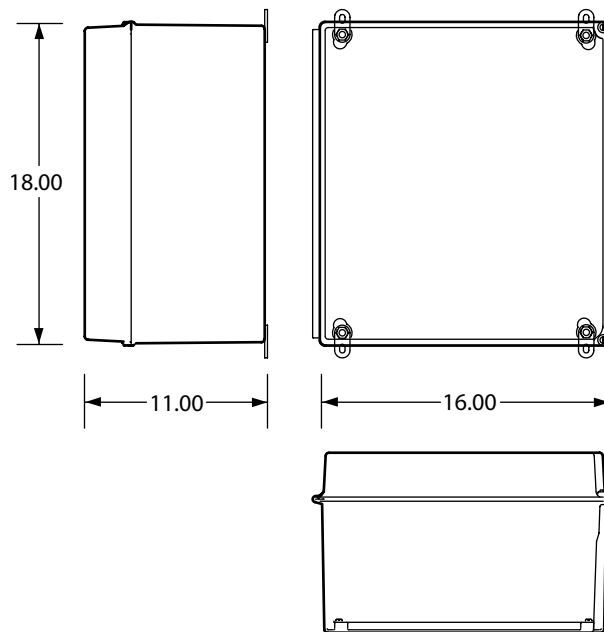
Ozone Generator

## Part Number

R-G23001 115V model  
R-G23002 230V model

## SPECIFICATIONS

Ozone Production 20scfh Oxygen	45 g/hr - 2.4 lbs/day
Ozone Production 30scfh Oxygen	52 g/hr - 2.7 lbs/day
Ozone Production 15scfh Dry Air	8.9 g/hr - 0.4 lbs/day
Ozone Production 20scfh Dry Air	18 g/hr - 1.0 lbs/day
Ozone Concentration Oxygen	3% - 8% %/wt
Ozone Concentration Dry Air	1% - 2% %/wt
Maximum Reactor Pressure	15 psi
Feed Gas Flow Range	0-50 scfh
Variable Control	0-100%
Power Consumption	440 watts
Power Supply Fuse	8 ampere
On/Off Breaker	15 ampere
Air Cooling	240 scfm
Compressed Air Inlet Fitting	1/4" fnpt
Ozone Outlet Fitting	1/4" tube
Power Requirement	115V or 230V 50/60Hz 1 phase
Height	18 inches
Width	16 inches
Depth	11 inches
Weight	53 lbs.



## THE G23 OZONE GENERATOR

OPTIONS  
Oxygen Concentrator  
Air Dryer  
PID Controller  
Dissolved Ozone Monitor  
Ozone Gas Detector

Optional oxygen concentrator packages and air dryer systems are available to meet the feed gas requirements of the G Series Ozone Generators. See important G Series dry air and oxygen quality requirements.



**EQUIPOS ESPECIALIZADOS DEL ATLANTICO SA de CV**

PASEO LOMAS DE ROSALES #307 COL. LOMAS DE ROSALES C.P. 89100 TAMPICO, TAM. MÉXICO

TEL. - (833) 116-54-10

www.eatlantico.com

e-mail: marte.alvarez@atlantico.com